

200A 3 POS,90°, Connector

High-Power Connector for the interconnection in electric vehicles (PHEV / EV) or any high-power application

▶ Advantage

- Robust Design/ Touch Safe design
- Secondary unlocking device (CPA)
- One-handed operation w/o additional tools (Mate Assist Design)
- Automotive product

▶ Feature

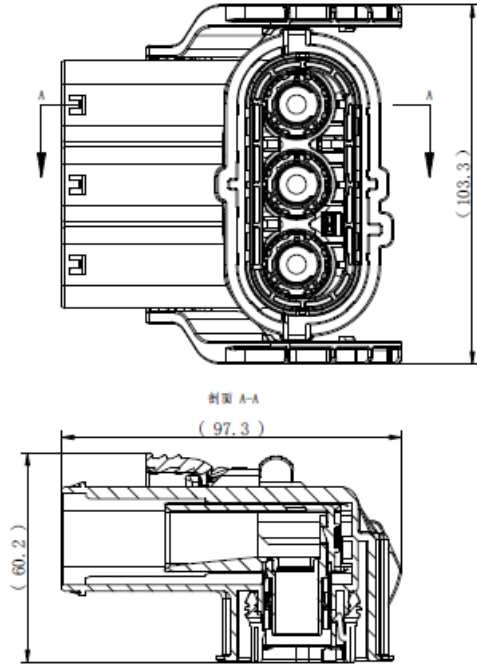
- High Voltage Inter-Lock
- Degree of Protection : IP67、IP2XB
- 360° EMC shielding
- Meet RoHs standards
- Multiple key options



▶ Product specification

Mechanical function	Secondary locking device Use levers to simplify assembly operations EMC shielding : 360° Degree of Protection : IP67、IP2XB(Unmated) High Voltage Inter-lock Cable exit angle :90°
Electrical function	Voltage : 850V DC Rated current : 200A Temperature rise: < 55K (Use 50 mm ² wire to pass 200A at room temperature) Withstand Voltage: AC2200V Contact resistance: ≤0.36mΩ (Connection part including crimping part) Insulation resistance: >200MΩ (1000VDC)
Environmental function	Operating temperature range: -40°C~140°C Storage temperature range: -40°C~85°C
Standard	USCAR-2, USCAR-25, USCAR-37, IEC 20653, LV215-1

▶ PLUG SIZE



▶ RECEPTACLE SIZE

